

### Limited Warranty

Yates Gear Inc. warrants for one year from the purchase date and only to the original retail buyer that our products are free from defects in material and workmanship. If the buyer discovers a warranty related defect, the buyer should return the product to Yates Gear Inc. Yates Gear Inc. reserves the option to repair or replace any product returned under warranty. That is the extent of our liability under this warranty and, upon the expiration of the applicable warranty period, all such liability shall terminate.

### Warranty Exclusions

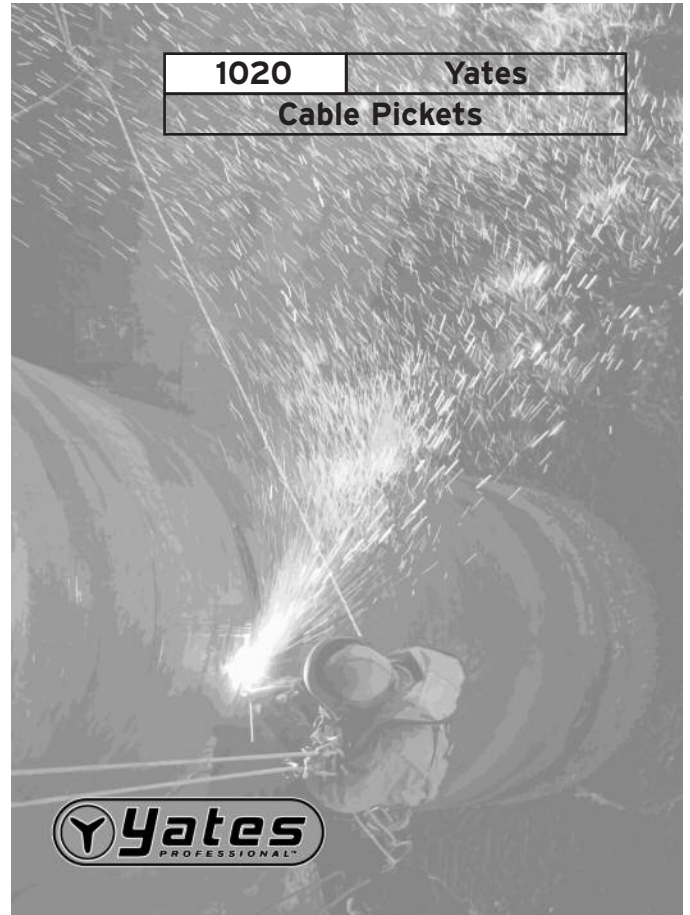
Yates Gear Inc. does not warrant products against normal wear and tear, unauthorized modification or alteration, improper use, improper maintenance, accident, misuse, negligence, damage, or if the product is used for a purpose for which it was not designed. This warranty gives you specific legal rights, and you may also have other rights which vary from state to state. Except as expressly stated in this warranty, Yates Gear Inc. shall not be liable for direct, indirect, incidental, or other types of damages arising out of, or resulting from the use of the product.

### Warning

Products manufactured by Yates Gear Inc. are intended for use by professionals trained and experienced in the use, inspection, and maintenance of these products. Many products which Yates manufactures are used in high angle environments which pose a very substantial risk of serious injury or death. You must read and understand all of the manufacturer's instructions before use. Any person purchasing this equipment assumes the responsibility for seeking proper training in its use. Purchaser also assumes all risk for any injury or damage sustained while using any of this equipment. Failure to follow these warnings increases the risk of injury and death.

**Yates Gear Inc.**  
**2608 Hartnell Ave. Suite 6, Redding, CA. 96002**  
**Phone/Fax 800-Yates-16 (800-928-3716)**  
**Phone 530-222-4606 Fax 530-222-4640**  
**www.yatesgear.com**

Rev. 5.2012



### Limited Warranty

Yates Gear Inc. warrants for one year from the purchase date and only to the original retail buyer that our products are free from defects in material and workmanship. If the buyer discovers a warranty related defect, the buyer should return the product to Yates Gear Inc. Yates Gear Inc. reserves the option to repair or replace any product returned under warranty. That is the extent of our liability under this warranty and, upon the expiration of the applicable warranty period, all such liability shall terminate.

### Warranty Exclusions

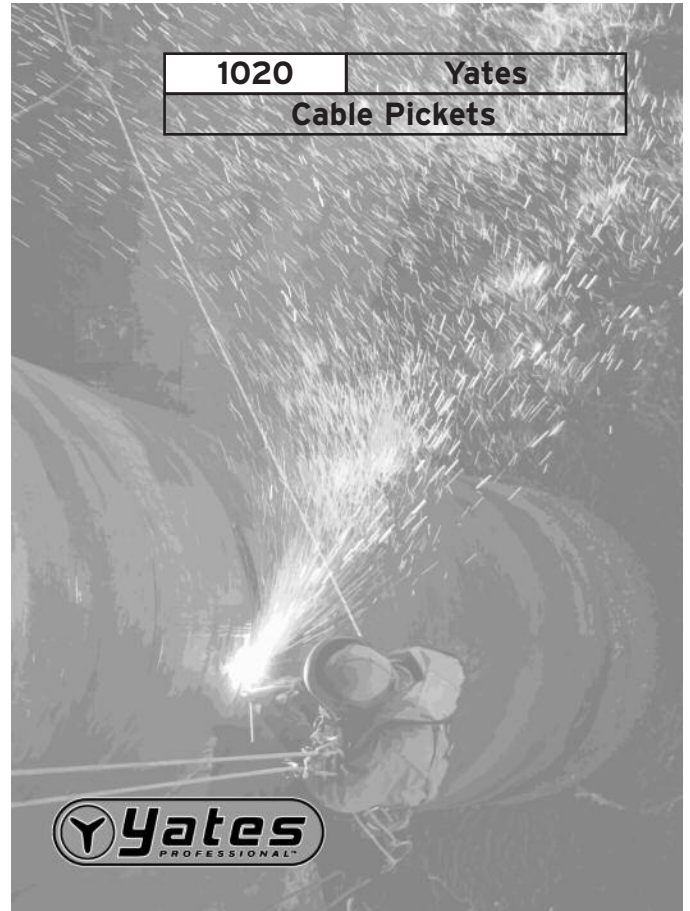
Yates Gear Inc. does not warrant products against normal wear and tear, unauthorized modification or alteration, improper use, improper maintenance, accident, misuse, negligence, damage, or if the product is used for a purpose for which it was not designed. This warranty gives you specific legal rights, and you may also have other rights which vary from state to state. Except as expressly stated in this warranty, Yates Gear Inc. shall not be liable for direct, indirect, incidental, or other types of damages arising out of, or resulting from the use of the product.

### Warning

Products manufactured by Yates Gear Inc. are intended for use by professionals trained and experienced in the use, inspection, and maintenance of these products. Many products which Yates manufactures are used in high angle environments which pose a very substantial risk of serious injury or death. You must read and understand all of the manufacturer's instructions before use. Any person purchasing this equipment assumes the responsibility for seeking proper training in its use. Purchaser also assumes all risk for any injury or damage sustained while using any of this equipment. Failure to follow these warnings increases the risk of injury and death.

**Yates Gear Inc.**  
**2608 Hartnell Ave. Suite 6, Redding, CA. 96002**  
**Phone/Fax 800-Yates-16 (800-928-3716)**  
**Phone 530-222-4606 Fax 530-222-4640**  
**www.yatesgear.com**

Rev. 5.2012

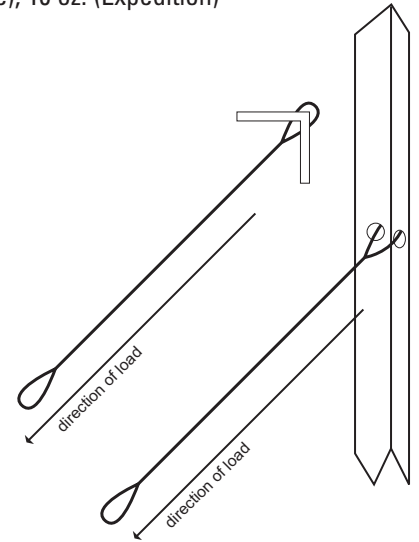




## 1020 Yates Cable Pickets

The versatility of the Cable and Expedition Pickets have made them the choice of many expeditions. Superior holding power with V shaped profile. Can be placed as a standard picket, deadman or buried horizontal bar. Stainless steel strike plate on end reduces damage from hammering. Cable model has 42 inch cable runner attached.

- Length 22 inches
- Weight 15 oz. (Cable), 10 oz. (Expedition)



## 1020 Yates Cable Pickets

The versatility of the Cable and Expedition Pickets have made them the choice of many expeditions. Superior holding power with V shaped profile. Can be placed as a standard picket, deadman or buried horizontal bar. Stainless steel strike plate on end reduces damage from hammering. Cable model has 42 inch cable runner attached.

- Length 22 inches
- Weight 15 oz. (Cable), 10 oz. (Expedition)

